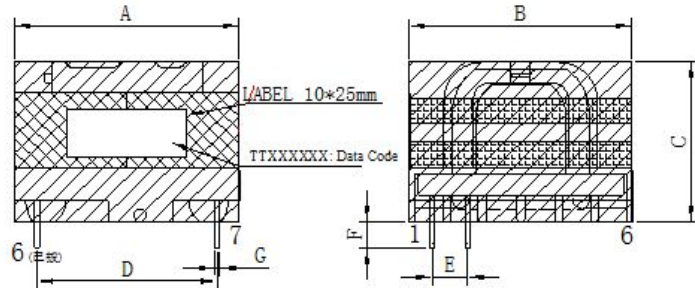


CUSTOMER TERMINAL	ROHS	Lead(Pb)-free
	YES	YES

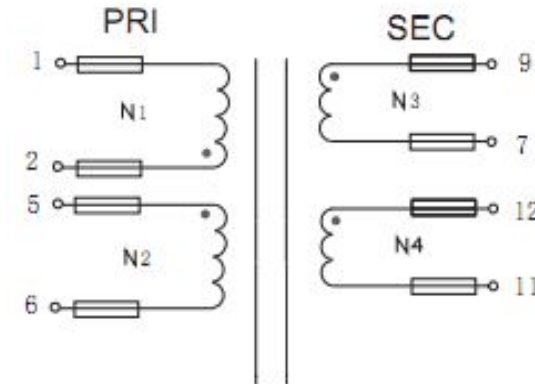
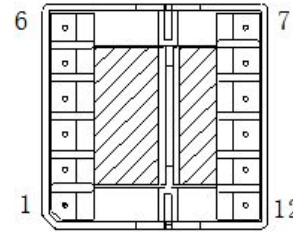


1.Mechanical Dimensions



A	36.5	MAX
B	36.8	MAX
C	26.8	MAX
D	28.0	±0.4
E	5.5	±0.3
F	4.0	±0.5
G	0.8	±0.1

2.Schematic Diagram



3.Material List

Core:FW44 ETD34
 Bobbin:FWB3404(6+6PIN) FWB3404-1(COVER)
 Wire:LITZ TIW 2UEW
 Copper foil:0.025t*10.0mm
 Operating Temperature: -30 to115 °C

4.Electrical Specification

Inductance : L(2-1):1.1mH±5% 50KHZ , 1.0V
 Leakage Inductance : 203uH±4% 50KHZ 、 1.0V
 DCR : (1-2)=280mΩ MAX (9-7)=330mΩ MAX
 Hi-Pot:P-S: AC 60Hz 4000V 1mA 3S
 P 、 S-CORE: AC 60Hz 2000V 1mA 3S

REV.	DATE	 Convention Placement	DRW.		Drawing Title:	Part No:
0	00/00		CHK.			
ROHS			www.ferriwo.com	APP.		Customer P/N